

# 1-270 Dustcap and Finger Pull Pr20.1



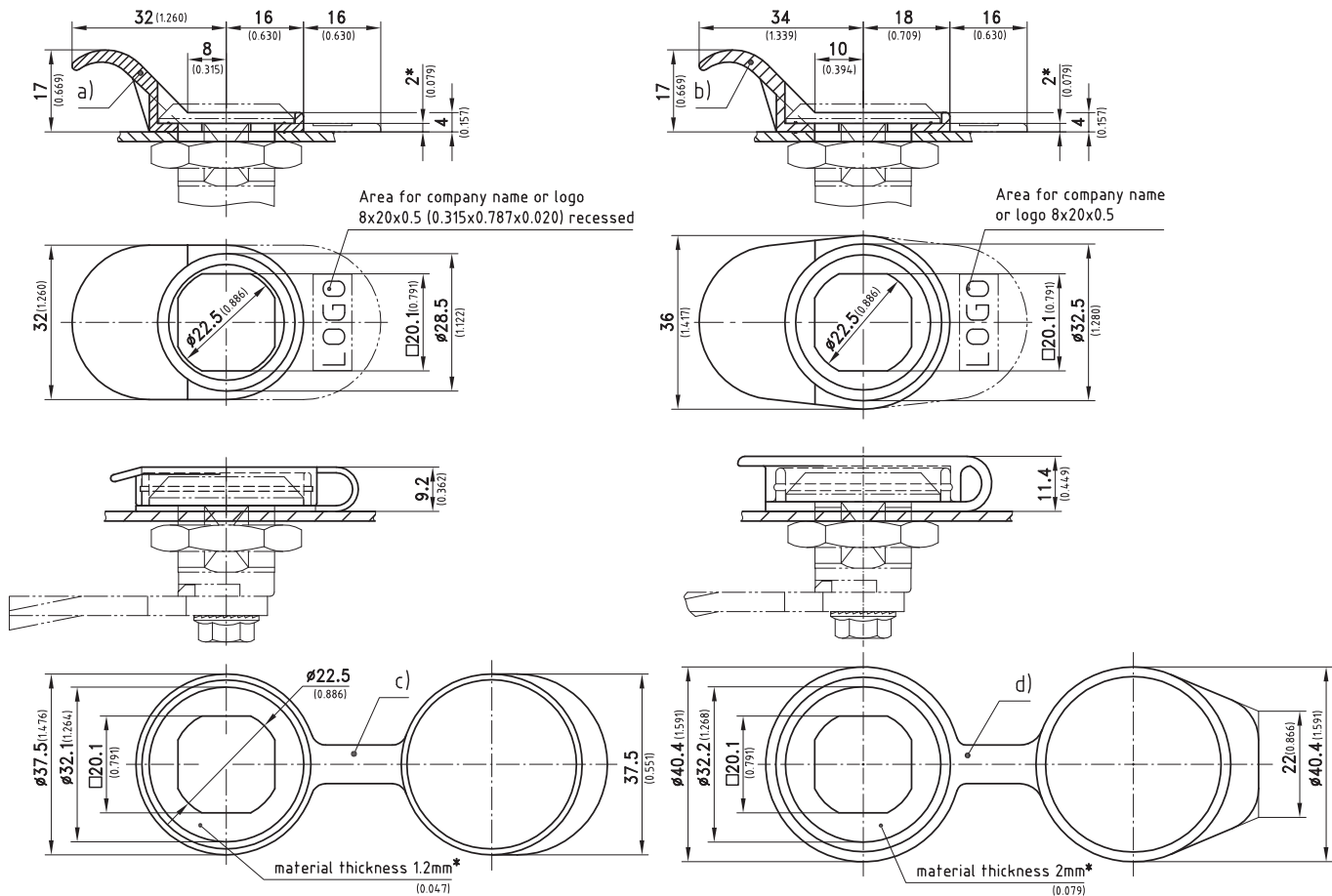
Quarter-Turns, Cutout 20.1

## Product Notes:

- For head Ø28mm or Ø32mm
- With or without area for company name or logo. Logo on request
- Black, other colors on request
- See Product System 1-085, 1-095, 1-100, 1-120 and 1-121
- Dustcap for Quarter-turn: For bezel Ø28mm or Ø32mm
- To use for indoor and outdoor: Material PP or TPU
- TPU version: Temperature range: -40° to +80°C
- Excellent resistance to pure mineral oils and greases. Suitable for temperate climates
- See Product System 1-081, 1-085, 1-095, 1-100, 1-110, 1-120, 1-121, 1-130, 1-140, 1-405, 7-075 and 7-080

## Material:

- **Finger pull:** PA, Black
- **Dustcap:** PP, Black or TPU, Black



	Part No.
a) Finger pull PA, Black for head Ø28 without area for company name or logo	200-4703.03
with area for company name or logo	200-4704.03
b) Finger pull PA, Black for head Ø32 without area for company name or logo	200-4705.03
with area for company name or logo	200-4706.03
c) Dustcap PP, black	200-4101
d) Dustcap TPU, black	200-4103

\*Please NOTE: By using a finger pull or dust cap 200-4103 H-dimensions changes by 2 mm (0.079"). While using the dustcap 200-4101 the H-dimensions changes by 1.2mm (0.047").